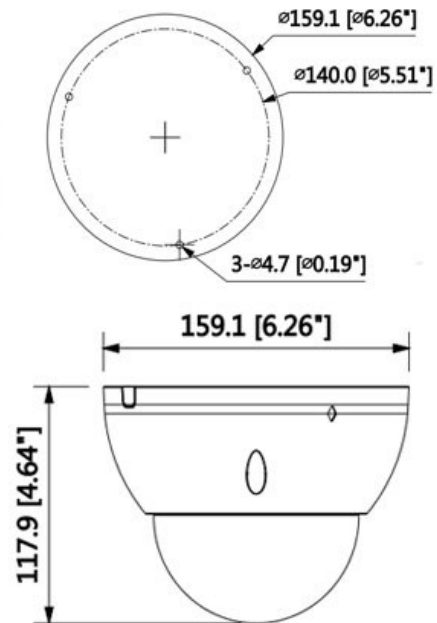


**CP- UNC-VE61ZL5E-VMD****6MP Full HD WDR IR Vandal Dome Camera - 50Mtr.****Main Features**

- 1/2.9" 6MP PS CMOS Image Sensor
- 20fps@6MP(3072x2048), 25/30fps@4MP(2688x1520)
- H.265 and H.264 Triple - stream encoding
- WDR, Day/Night (ICR), 3DNR, ROI, AWB, AGC, BLC, HLC
- 2.7mm ~13.5mm motorized lens
- IR Range of 50 Mtrs, IP67, IK10, SD Card, ePoE
- Mobile Software: iCMOB, gCMOB
- CMS Software: KVMS Pro, vOptimus Pro



# CP- UNC-VE61ZL5E-VMD

## 6MP Full HD WDR IR Vandal Dome Camera - 50Mtr.



### Feature

Image Sensor  
Effective Pixels  
Minimum Illumination  
Shutter Speed  
White Balance  
Lens  
Gain Control (AGC)  
Angle of View  
Video Compression  
Back Light Compensation  
S/N Ratio

Video Streaming

Resolution

Video Output

Digital Zoom

Motion detection

Privacy Mask

ICR

ROI

Audio Input

Audio Output

Audio Compression

Alarm IN

Alarm Out

Bit Rate

Protocol

Smart Detection

### Specification

1/2.9" 6Megapixel progressive scan CMOS  
3072(H) x 2048(V)  
0.03Lux/F1.4 (Color,1/3s,30IRE) 0.3Lux/F1.4 (Color,1/30s,30IRE) 0Lux/F1.4(IR on)  
Auto/Manual, 1/3~1/100000s  
Auto/Natural/Street Lamp/Outdoor/Manual  
2.7mm~13.5mm  
Auto/Manual  
H:91°~27°, V:58°~18°  
H.265+/H.265/H.264+/H.264  
BLC / HLC / WDR  
More than 50dB  
Main Stream: 6MP(1~20fps)/4MP(1~25/30fps), Sub Stream: D1(1~25/30fps), Third Stream: 720P(1~25/30fps)  
6MP(3072x2048)/5MP(3072x1728)/ 5MP(2592x1944)/ 4MP(2688x1520)/ 3MP(2048x1536)/ 3MP(2304x1296)/ 1080P(1920x1080)/1.3M(1280x960)/ 720P(1280x720)/ D1 (704x576/704x480)  
1 Port  
16x  
Off / On (4 Zone, Rectangle)  
Off / On (4 Area, Rectangle)  
Auto (ICR)/Color/B/W  
Off / On (4 Zone)  
1 Ch.  
1 Ch.  
G.711a/ G.711Mu/ AAC/ G.726  
1 channel In: 5mA 5VDC  
1 channel Out: 300mA 12VDC  
H.264: 24K ~ 10240Kbps, H.265: 14K ~ 9984Kbps  
HTTP; HTTPS; TCP; ARP; RTSP; RTP; UDP; SMTP; FTP; DHCP; DNS; DDNS; PPPOE; IPv4/v6; QoS; UPnP; NTP; Bonjour; 802.1x; Multicast; ICMP; IGMP; SNMP,ONVIF, PSIA, CGI  
Tripwire, Intrusion, Object Abandoned/Missing, Face Detection



**CP- UNC-VE61ZL5E-VMD****6MP Full HD WDR IR Vandal Dome Camera - 50Mtr.****Feature**

Ethernet  
User Account  
IR  
Smart Phone  
Micro SD  
Operating Temperature  
Power Source  
Power Consumption  
Weatherproof Standard  
Dimension  
Weight

**Specification**

RJ-45 (10/100Base-T)  
20 Users  
IR Range of 50 Mtr.  
IOS, Android  
Micro SD, Max 128GB  
-30°C~+60°C, Less than 95% RH  
DC12V, AC24V, ePoE  
<15W  
IP67 & IK10  
Φ159.1mm×117.9mm  
0.95 kg